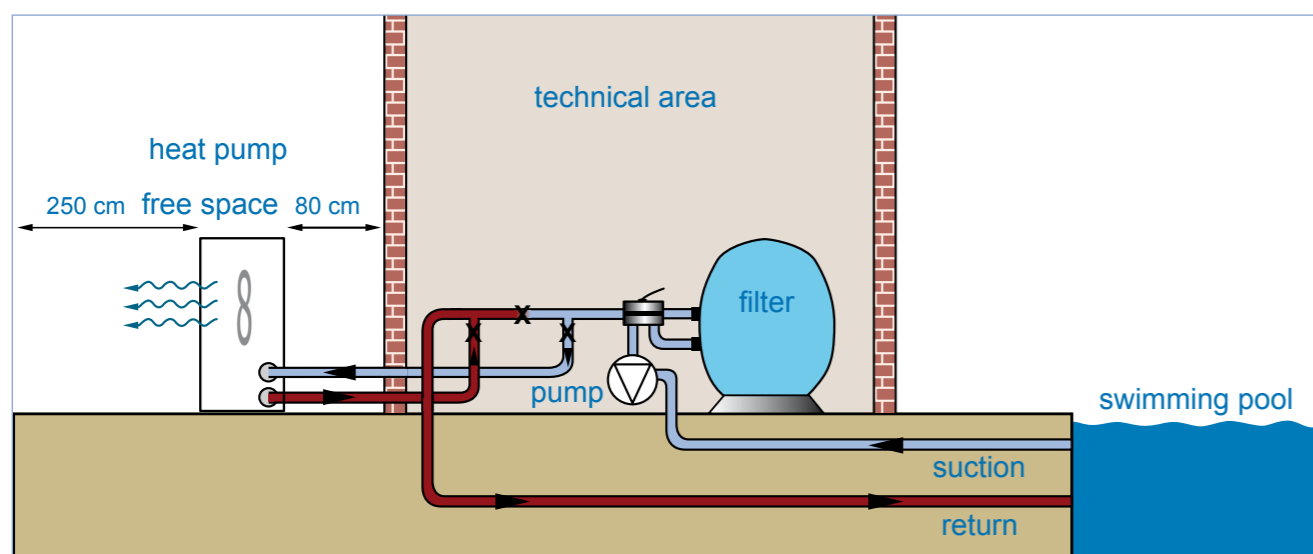




Easy installation

The unit is intelligently designed and remarkably compact for easy installation. The heatpump has to be installed on a by-pass after the filtration pump.



Advanced control

The integrated microprocessor monitors all the sensors and controls the device without any intervention of the user. Electronic display and control with easy operation is standard. The integrated flow switch will sense the water flow and automatically start the heater when the pool pump starts and stops when the pump shuts off.



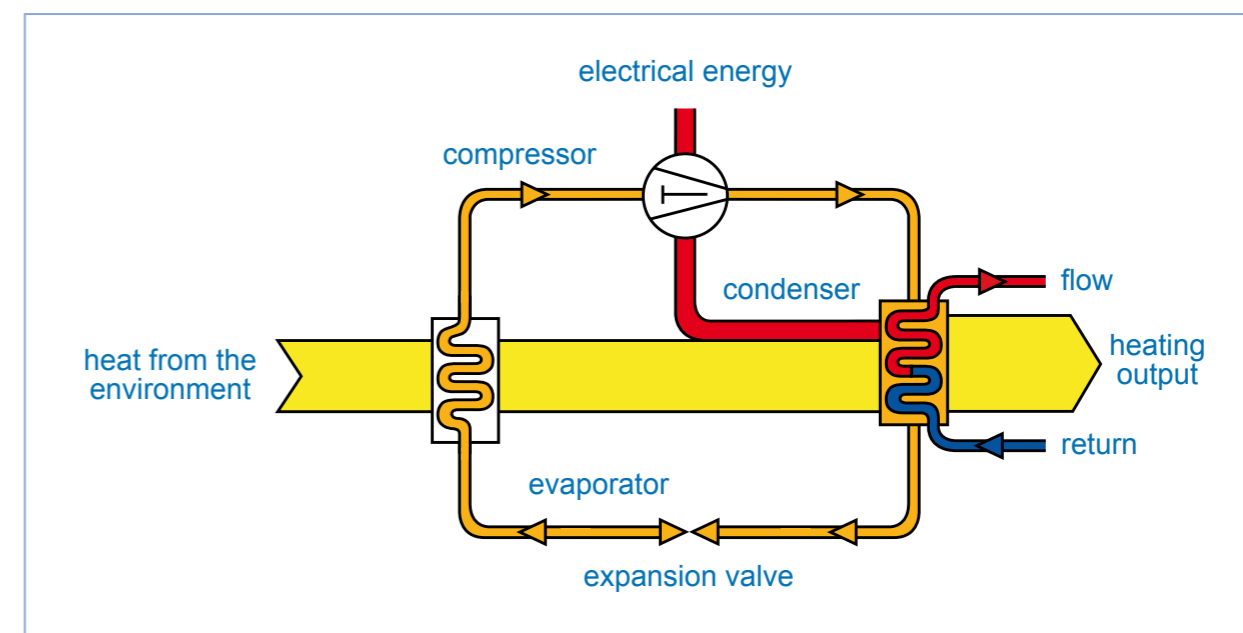
Running quietly

The use of a highly efficient, low sound rotary or scroll compressor, a low noise fan and an oversized heat exchanger, makes the unit to be extremely quiet in operation. Example: the DURA 8 at 10m distance gives only 32 db(A).

DURATECH® heat pumps can save you up to 80% in operating costs. Whether you just want to extend your swimming season or swim all season in a warm comfortable pool, the DURATECH® heat pump can pay for itself in just a few years with the operation costs savings.

How does it work?

DURATECH® heat pumps utilize the sun's free heat by collecting and absorbing energy from the outside air. This energy is then transferred to the pool water. Your existing pool pump circulates the water through the heater and warms the pool. The unit contains a fan that draws in outside air and directs it over the surface of the EVAPORATOR (energy collector). The liquid refrigerant within the EVAPORATOR coil absorbs the heat from the outside air and the refrigerant becomes a gas. The warm gas passes through the compressor where it is compressed to form a very hot gas, which then passes through the CONDENSOR (water heat exchanger). It is here that the heat exchange occurs as the hot gas gives up the heat to the cooler swimming pool water circulating through the coil. The pool water becomes warmer and the hot gas is cooling down as it flows through the CONDENSOR coil, returns to its liquid form and, after passing through the expansion valve, the whole process begins again.



DURA vs DURA+ heat pumps

| | DURA | DURA+ |
|---------------------|----------------|-------------------------|
| FUNCTION | heating | heating/cooling |
| TEMPERATURE RANGE | 7 up to 45°C | -10 up to 45°C |
| CAPACITY | 7 - 26kW | 9,8 - 30kW |
| COP 25A/25W | 5,5 | 6 |
| TEMPERATURE CONTROL | digital | digital |
| CONTROL | electronically | electronically |
| GAS | R407c | R410a |
| BODY | steel, coated | stainless steel/plastic |
| HEAT EXCHANGER | titanium | titanium |



Specifications DURA heat pumps

| UNIT | Model | DURA 7 | DURA 10 | DURA 13 | DURA 18 | DURA 22 | DURA 22T | DURA 26T |
|----------------------------|-------------------------|--------------|--------------|--------------|--------------|--------------|--------------|--------------|
| part number | | 0892651 | 0892652 | 0892653 | 0892654 | 0892655 | 0892656 | 0892657 |
| | kW | 7 | 10 | 13 | 18 | 22 | 22 | 26 |
| heating capacity A25/W25 | BTU/h | 24000 | 34000 | 44500 | 61500 | 75000 | 75000 | 89000 |
| | kW | 6,4 | 9,1 | 11,8 | 16,5 | 20,2 | 20,2 | 24,2 |
| heating capacity A15/W25 | BTU/h | 22000 | 31000 | 40500 | 56500 | 69000 | 69000 | 83000 |
| power input | kW | 1,45 | 2,02 | 2,63 | 3,6 | 4,45 | 4,45 | 5,2 |
| maximum volume | m³ | 30 | 40 | 60 | 80 | 90 | 90 | 120 |
| running current | A | 6,6 | 9,2 | 12,1 | 16,5 | 20,9 | 7,9 | 8,9 |
| maximum current | A | 6,6 | 9,3 | 13,4 | 18,7 | 21 | 7,1 | 9,5 |
| COP at A25/W25 | | 5,5 | 5,5 | 5,5 | 5,5 | 5,5 | 5,5 | 5,5 |
| power supply | V/Ph/Hz | 220-240/1/50 | 220-240/1/50 | 220-240/1/50 | 220-240/1/50 | 220-240/1/50 | 380/ 3/ 50 | 380/ 3/ 50 |
| controller | Electronic | | | | | | | |
| condensor | Titanium heat exchanger | | | | | | | |
| compressor quantity | | 1 | 1 | 1 | 1 | 1 | 1 | 1 |
| compressor type | | Rotary | Rotary | Rotary | Scroll | Scroll | Scroll | Scroll |
| refrigerant | | R407c | R407c | R407c | R407c | R407c | R407c | R407c |
| air flow high | m³/h | 1800 | 2100 | 2300 | 3200 | 4500 | 4500 | 4500 |
| air flow low | m³/h | 1650 | 1800 | 2000 | 2700 | 3800 | 3800 | 3800 |
| fan quantity | | 1 | 1 | 1 | 1 | 1 | 1 | 1 |
| fan power input | W | 25 | 30 | 60 | 200 | 200 | 200 | 200 |
| fan speed | RPM | 950/750 | 950/750 | 950/750 | 830/750 | 830/680 | 830/680 | 830/680 |
| fan direction | | horizontal | horizontal | horizontal | vertical | vertical | vertical | vertical |
| noise level | dB(A) | 54 | 54 | 54 | 55 | 57 | 57 | 57 |
| water connection | mm | 50 | 50 | 50 | 50 | 50 | 50 | 50 |
| nominal water flow | m³/h | 3-5 | 5-7 | 6-8 | 8-10 | 10-12 | 10-12 | 11-13 |
| maximum pressure loss | kPa | 12 | 15 | 15 | 16 | 16 | 16 | 16 |
| nett dimensions | L/B/H mm | 936/360/550 | 1010/370/615 | 1110/470/680 | 660/660/860 | 660/660/960 | 660/660/960 | 660/660/960 |
| shipping dimensions | L/B/H mm | 1090/390/580 | 1170/415/645 | 1165/485/780 | 700/740/1010 | 700/740/1110 | 700/740/1110 | 700/740/1110 |
| net weight/shipping weight | Kg | 54/57 | 63/67 | 99/104 | 108/120 | 111/123 | 111/123 | 112/125 |

Specifications DURA+ heat pumps

| UNIT | Model | DURA 10+ | DURA 14+ | DURA 19+ | DURA 22+T | DURA 30+T |
|----------------------------|-------------------------|--------------|--------------|--------------|--------------|--------------|
| part number | | 0892045 | 0892046 | 0892047 | 0892048 | 0892049 |
| | kW | 9,8 | 14,3 | 19,6 | 22 | 30 |
| heating capacity A25/W25 | BTU/h | 33450 | 48500 | 75000 | 66500 | 102000 |
| | kW | 9,5 | 13,5 | 18,6 | 20,7 | 28 |
| heating capacity A15/W25 | BTU/h | 32400 | 46000 | 63500 | 70600 | 95500 |
| power input | kW | 7,6 | 12,0 | 16,4 | 17,6 | 24,0 |
| cooling capacity A25/W25 | BTU/h | 26000 | 41000 | 56000 | 60000 | 82000 |
| power input | kW | 1,71 | 2,46 | 3,44 | 3,67 | 5,00 |
| maximum volume | m³ | 40 | 60 | 80 | 95 | 130 |
| running current | A | 7,43 | 10,70 | 14,96 | 6,10 | 8,30 |
| maximum current | A | 9,30 | 13,40 | 18,70 | 7,10 | 9,50 |
| COP at A25/W25 | | 5,70 | 5,80 | 5,70 | 6,00 | 6,00 |
| COP at A15/W25 | | 5,25 | 5,30 | 5,25 | 5,50 | 5,50 |
| power supply | V/Ph/Hz | 220-240/1/50 | 220-240/1/50 | 220-240/1/50 | 380/3/50 | 380/3/50 |
| controller | Electronic | | | | | |
| condensor | Titanium heat exchanger | | | | | |
| compressor quantity | | 1 | 1 | 1 | 1 | 1 |
| compressor type | | Rotary | Rotary | Scroll | Scroll | Scroll |
| refrigerant | | R410a | R410a | R410a | R410a | R410a |
| air flow high | m³/h | 2100 | 2300 | 3200 | 4500 | 4500 |
| air flow low | m³/h | 1800 | 2000 | 2700 | 3800 | 3800 |
| fan quantity | | 1 | 1 | 1 | 1 | 1 |
| fan power input | W | 120 | 120 | 120 | 215 | 215 |
| fan speed | RPM | 850/750 | 850/750 | 850/750 | 820/680 | 820/680 |
| fan direction | | horizontal | horizontal | horizontal | vertical | vertical |
| noise level | dB(A) | 51 | 54 | 54 | 57 | 57 |
| water connection | mm | 50 | 50 | 50 | 50 | 50 |
| nominal water flow | m³/h | 3,0 | 4,5 | 6,0 | 14,0 | 19,0 |
| maximum pressure loss | kPa | 10 | 10 | 10 | 16 | 17 |
| nett dimensions | L/B/H mm | 905/420/650 | 905/420/650 | 1200/470/850 | 660/660/960 | 660/660/960 |
| shipping dimensions | L/B/H mm | 1030/440/700 | 1030/440/700 | 1240/480/900 | 700/740/1110 | 700/740/1110 |
| net weight/shipping weight | Kg | 60/65 | 77/82 | 117/128 | 112/122 | 123/133 |

DURA 7 / DURA 10 / DURA 13



DURA 18 / DURA 22
DURA 22T / DURA 26T



DURA 10+ / DURA14+



DURA 19+ / DURA 22+T / DURA 30+T

