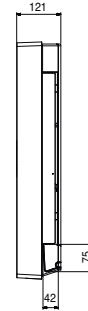
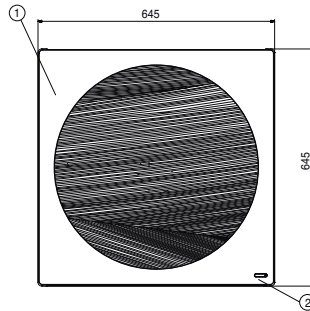




GO9WL / G12WL NEW



- 3way soft airflow
- Changing LED lights
- Stylish controller



Item No.	Part Name
1	Front Panel
2	Display & Signal Receiver

SPECIFICATIONS

Unit				GO9WL-NS3	G12WL-NS3
Indoor Unit					
Capacity	Cooling	Min	W	1300	1300
		Rated	W	2500	3500
		Max	W	3500	4000
	Heating	Min	W	1300	1300
		Rated	W	3000	3500
		Max	W	4200	5000
Heating -7°C	Rated	W	690	1090	
	Rated	W	830	970	
Power Input	Cooling	Rated	W	830	970
	Heating +7°C	Rated	W	3200	3700
EER			W/W	3.61	3.21
S.E.E.R.				5.70	5.60
P design C			kW	2.50	3.50
COP			W/W	3.61	3.61
S.C.O.P.				3.80	3.80
P design H			KW	2.70	3.30
S.E.E.R.				5.7	5.6
S.C.O.P.				3.8	3.8
Energy Label	Cooling			A+	A+
	Heating			A	A
Annual Energy Consumption	Cooling		kWh	170	220
	Heating		kWh	1100	1224
Power Supply			Φ / V / Hz	1/220-240/50	1/220-240/50
Sound Pressure	Cooling	Sleep	dBA	19	19
		Low	dBA	29	29
		Medium	dBA	34	34
	Heating	High	dBA	39	39
		Low	dBA	32	32
		Medium	dBA	35	35
Sound Power	Cooling	High	dBA	39	39
		High	dBA	60	60
Air Flow Rate	Cooling	Max (Power)	m3/min	10.5	10.5
Air Flow Rate	Cooling	Sleep	m3/min	4.5	4.5
		Low	m3/min	6.0	6.0
		Medium	m3/min	7.0	7.0
		High	m3/min	8.0	8.0
	Heating	Low	m3/min	6.6	6.6
		Medium	m3/min	7.5	7.5
		High	m3/min	8.5	8.5
		High	m3/min	8.5	8.5
Dehumidification Rate			l/h	1.2	1.5
Running Current	Cooling	Rated	A	4	5
		Max	A	6.0	6.0
	Heating	Rated	A	4	4.5
		Max	A	7.0	7.0
Starting Current	Cooling	Rated	A	4	5
	Heating	Rated	A	4	4.5
Circuit Breaker			A	15	15
Power Supply Cable			N x mm ²	3*1.0	3*1.0
Power & Transmission Cable			N x mm ²	4*1.0(Including Earth)	4*1.0(Including Earth)
Dimension			mm	645*645*121	645*645*121
Net Weight			kg	18	18
Fan Motor Output			W	24	24
Outdoor Unit					
Operation Range	Cooling	Min-Max	°CDB	-10-48	-10-48
	Heating	Min-Max	°CWB	-15-24	-15-24
Sound Pressure	Cooling	High	dBA	45	45
	Heating	High	dBA	45	45
Sound Power	Cooling	High	dBA	65	65
Air Flow Rate	Cooling	High	m3/min	33	33
Piping	Length (Odu/Idu)	Min	m	-	-
		Max	m	15	15
	Elevation (Odu/Idu)	Max	m	7	7
Piping Connection	Liquid	OD(Outside)	mm	6.35	6.35
		OD(Outside)	inch	1/4	1/4
	Gas	OD(Outside)	mm	9.52	9.52
		OD(Outside)	inch	3/8	3/8
	Drain	OD(Outside)	mm	21.5	21.5
		OD(Outside)	inch	0.85	0.85
Refrigerant	Type			R410a	R410a
	Charge at 7.5m		g	1000	1000
	Additional charge		g/m	20	20
Fan Motor Output			W	43	43
Compressor Type				Rotary	Rotary
Net Weight			kg	34	34
Dimension			mm	770 x 545 x 288	770 x 545 x 288