



The PAC-YT51HAA is a simple 5 wire adapter for connection to the AT-50B centralised controller.

#### Key Features

- Remote on/off
- Fire alarm input
- Common run and fault signal



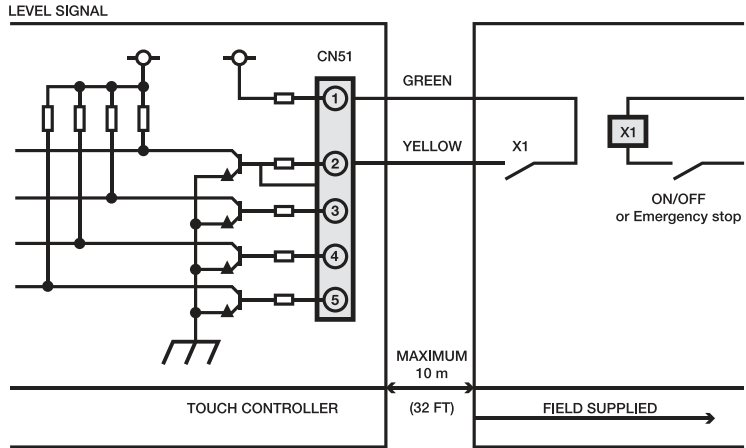
Air Conditioning | Heating  
Ventilation | Controls



| SIMPLE INTERFACE                    | PAC-YT51HAA   |
|-------------------------------------|---|
| Description                         | On/Off Run and Fault Adapter  |
| Connect to                          | AT-50B  |
| Max Number of Units                 | 1   |
| Compatibility                       | AT-50B  |
| Dimensions (mm) (WxDxH)             | -   |
| Control                             | On/Off ✓<br>Mode x<br>Setpoint x<br>Fan Speed x<br>Air Direction x<br>Permit/Prohibit x<br>Filter Sign x  |
| Monitor                             | On/Off ✓<br>Mode x<br>Setpoint x<br>Fan Speed x<br>Air Direction x<br>Permit/Prohibit x<br>Filter Sign x<br>Fault Codes ✓<br>Room Temperature x<br>Fire Alarm ✓ |
| On/Off but Centrally Controlled     | VFC   |
| On/Off but NOT Centrally Controlled | x   |
| Run and Fault Output                | Via 24VDC   |
| Heat and Cool Output                | x   |
| Night Mode and Demand Control       | x   |
| Connect Mr Slim to M-NET            | -   |
| Connect Mr Slim to A32M             | -   |
| Connect Mr Slim to BAC-A/50         | -   |

Note: VFC: Volt free contact. ✓ = Yes, x = No, - = Not applicable.

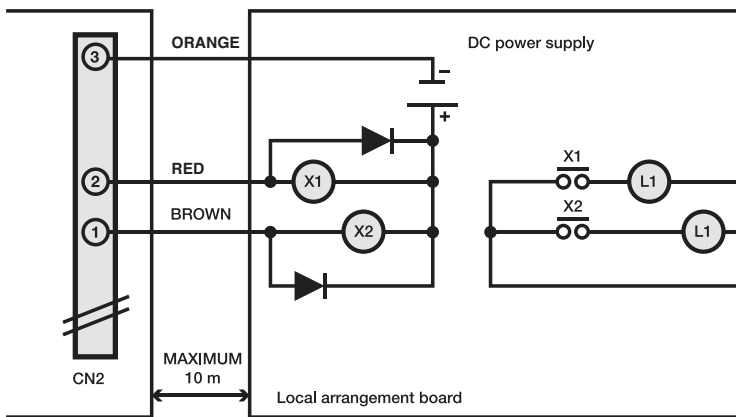
#### WIRING DIAGRAM On/Off or Emergency Stop Inputs



#### WIRING DIAGRAM Operation Outputs Run & Fault (External 24v DC Power Supply and Relays Required)

Input / Output cable (output)

- No. 1 ORANGE: COMMON
- No. 2 RED: FAULT
- No. 3 BROWN: ON/OFF



#### SYSTEM DIAGRAM



Note: 24v DC power supply and relays required for run and fault outputs.



Telephone: 01707 282880

email: [air.conditioning@meuk.mee.com](mailto:air.conditioning@meuk.mee.com) web: [www.airconditioning.mitsubishielectric.co.uk](http://www.airconditioning.mitsubishielectric.co.uk)

UNITED KINGDOM Mitsubishi Electric Europe Living Environmental Systems Division  
Travellers Lane, Hatfield, Hertfordshire, AL10 8XB, England General Enquiries Telephone: 01707 282880 Fax: 01707 278881

IRELAND Mitsubishi Electric Europe Westgate Business Park, Ballymount, Dublin 24, Ireland  
Telephone: Dublin (01) 419 8800 Fax: Dublin (01) 419 8890 International code: (003531)

Country of origin: United Kingdom - Japan - Thailand - Malaysia. ©Mitsubishi Electric Europe 2015. Mitsubishi and Mitsubishi Electric are trademarks of Mitsubishi Electric Europe B.V. The company reserves the right to make any variation in technical specification to the equipment described, or to withdraw or replace products without prior notification or public announcement. Mitsubishi Electric is constantly developing and improving its products. All descriptions, illustrations, drawings and specifications in this publication present only general particulars and shall not form part of any contract. All goods are supplied subject to the Company's General Conditions of Sale, a copy of which is available on request. Third-party product and brand names may be trademarks or registered trademarks of their respective owners.



Effective as of April 2015



[www.greengateway.mitsubishielectric.co.uk](http://www.greengateway.mitsubishielectric.co.uk)

Mitsubishi Electric UK's commitment  
to the environment

Follow us @meuk\_Jes  
Follow us @green\_gateway

Mitsubishi Electric  
Living Environmental Systems UK

YouTube  
mitsubishielectric2